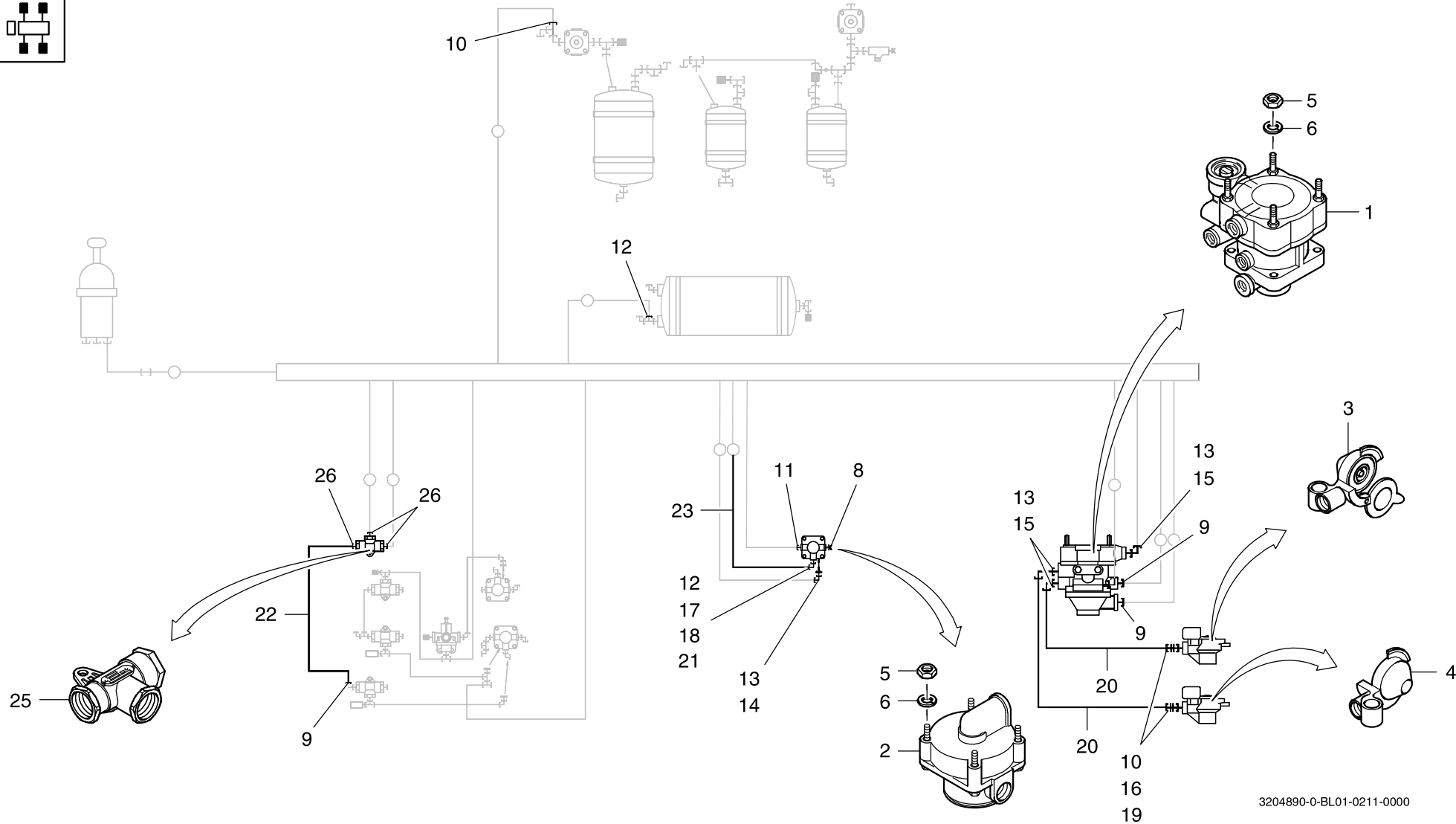


| | | | | |
|-----------------------------------------------------------------------------------|----------------------------------------------------------------------------|--------------------------------|---------------|---------|
|  | DRUCKLUFTANLAGE ANHAENGERBETRIEB COMPRESSED AIR SYSTEM, TRAILER CONTROL | BILDТАFEL PICTORIAL DISPLAY | | GMK3060 |
| | | 02.11 | 3204890-ETL # | |



3204890-0-BL01-0211-0000